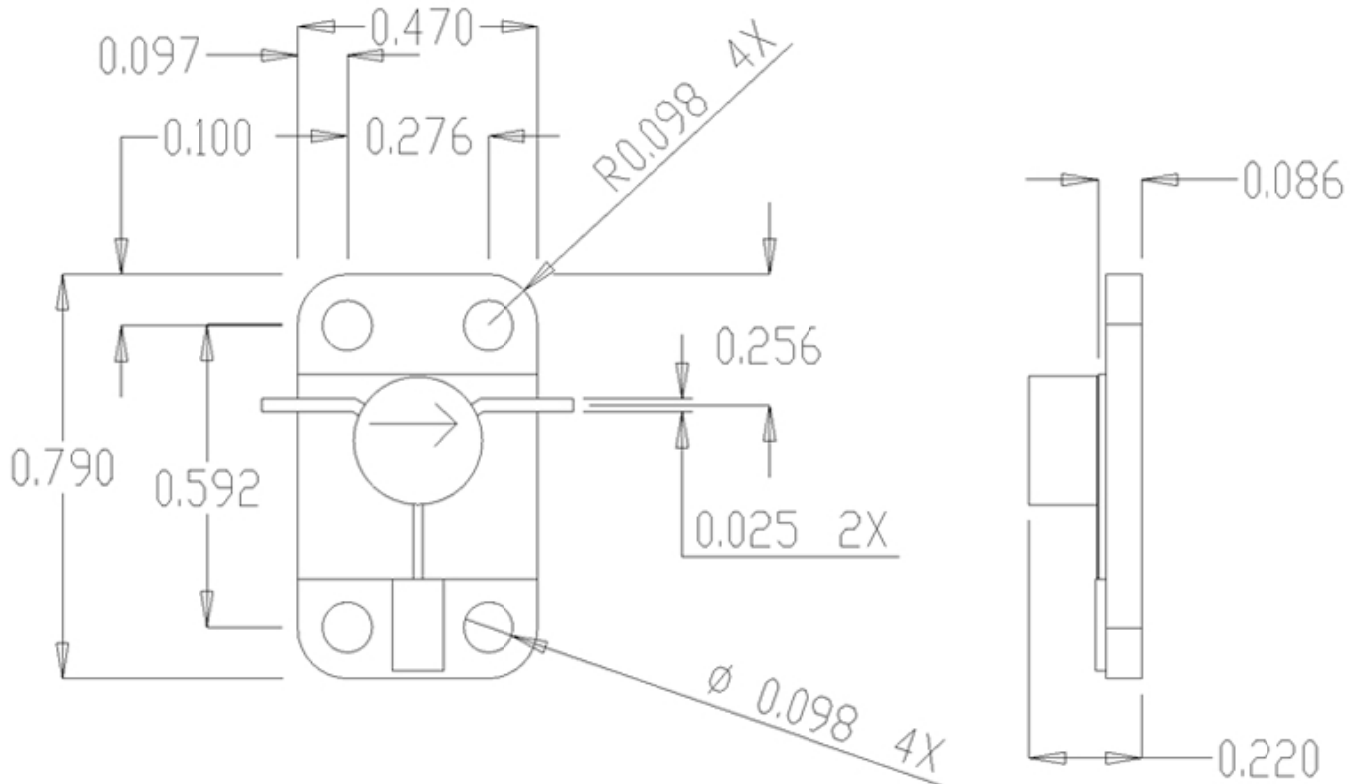


Microstrip Drop-In Isolators

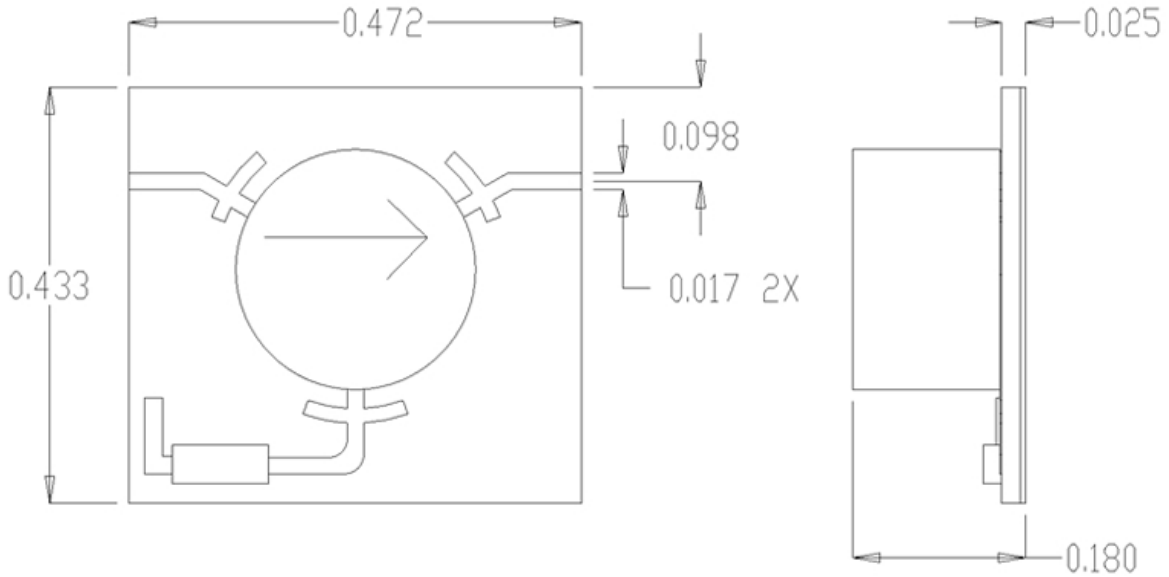
All catalog part numbers are for devices with clockwise rotation, however, counter-clockwise rotation is available by request. Encapsulation is available on some designs for high peak power and high altitude capability. Contact our Customer Service Representatives for special performance and unique mechanical configurations. We have many other designs not listed here on our website as we develop new designs almost on a daily basis.

Frequency Range (GHz)	Isolation (Min) (-dB)	Insertion Loss (Max) (-dB)	VSWR (Max)	Reverse Power (Watts)	Forward Power (Watts)	* Operating Temperature (°C)	Footprint (in x in)	Part Number	Outline Drawing	Notes
4.400 - 5.000	20	0.40	1.25	2	10	-40 to +85	0.47 x 0.79	791-440500-002	M01	
5.800 - 7.100	20	0.50	1.25	1	2	-30 to +65	0.47 x 0.43	791-580791-001	M02	
14.400 - 15.350	20	0.40	1.20	1	5	-30 to +70	0.28 x 0.77	791-144153-001	M03	

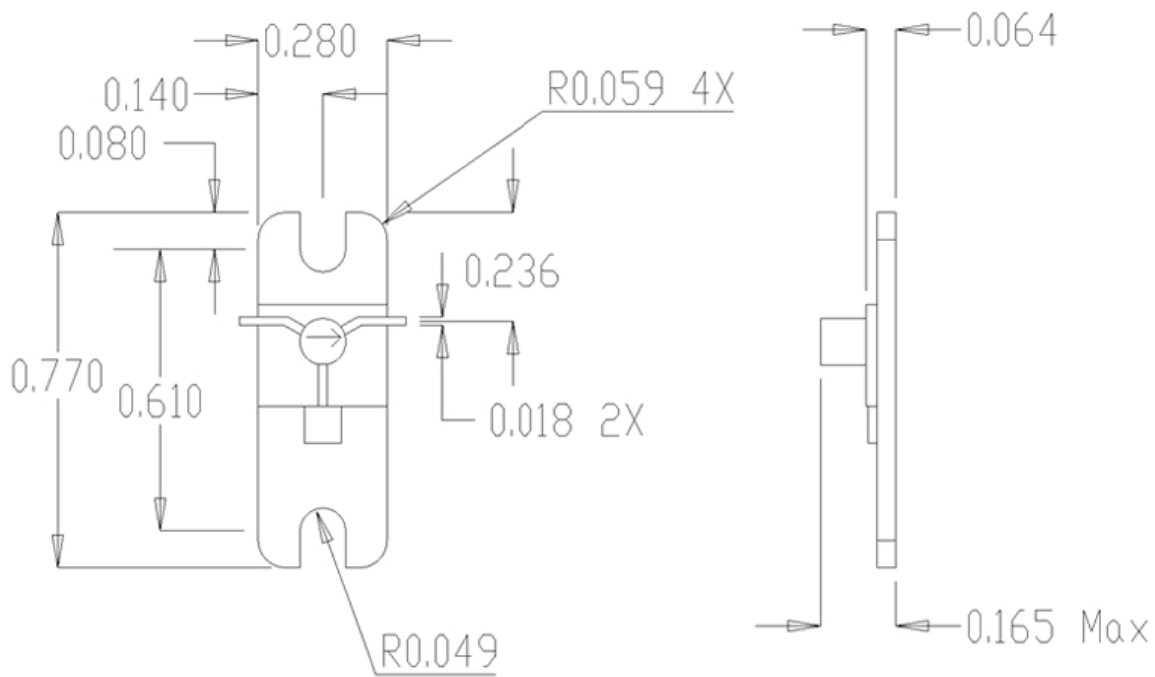
* Mounting Plate Temperature Not To Exceed Operating Temperature



M01



M02



M03